



3-in-1 hand blender

Instruction Manual



Item No. 35099

EQUIPMENT:

HAND BLENDER

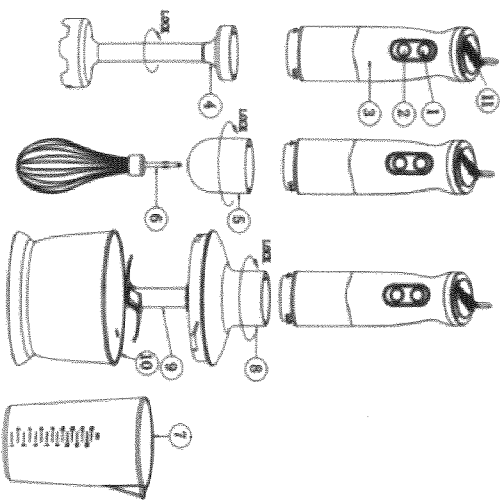
- ①② Turbo Switch buttons
- ③ Power handle
- ④ Blender shaft (removable)
- ⑪ Speed control (button 1 only)

WHISK

- ⑤ Whisk collar
- ⑥ Whisk beater

CHOPPER

- ⑦ : Measuring cup
- ⑧ : Chopper lid
- ⑨ : Blade
- ⑩ : Chopper bowl



IMPORTANT! SAFETY INSTRUCTIONS:

READ THIS MANUAL BEFORE USING THIS APPLIANCE.

WARNING! READ ALL SAFETY WARNINGS AND INSTRUCTIONS FAILURE TO FOLLOW THE WARNINGS AND INSTRUCTIONS LISTED BELOW MAY RESULT IN ELECTRIC SHOCK, FIRE AND/OR INJURY

1. The intended use of this appliance is explained in this manual. The use of accessories other than those recommended in this manual may present a risk of personal injury.
2. Always check the mains voltage corresponds to the voltage on the rating plate.

BEFORE USING THE HAND BLENDER FOR THE FIRST TIME:

- Carefully unpack the appliance and remove all packaging materials and check the contents to ensure that all the parts and accessories are present and are in good condition.
- **WARNING:** Do not touch the blades they are very sharp. do not have the appliance plugged into a mains supply when cleaning or fitting attachments wash all the attachments in warm soapy water rinse and dry thoroughly. wipe the blades carefully with a damp cloth then allow to fully dry.

- The power handle can only be wiped with a damp cloth; **DO NOT IMMERSE THE POWER HANDLE IN WATER.**

- This appliance is not intended for use by person (including children) with reduced physical, sensory or mental capability has or lack of experience and knowledge unless they have been given supervision or instruction concerning use of the appliance by a person responsible for their safety.

- Children should be supervised to ensure that they do not touch or play with the appliance.

- Unplug from the mains power supply prior to moving the appliance or conducting any servicing, cleaning or when not in use.

- Always store this appliance in a clean dry place.

- Do not allow children to have access to stored electrical appliance.

- Do not use outdoors.

- The appliance must not be used in potentially dangerous locations such as flammable, explosive, chemical-laden or wet atmospheres where petrol or flammable liquids are used or stored.

- Do not use in a bathroom or in an area that could allow it to get wet.

- Never operate the appliance with a damaged power lead or plug or after the appliance malfunction or the control unit is damaged in any way.

- There are no internally serviceable parts do not attempt to disassemble.

- Never insert or allow fingers or foreign objects to enter any ventilation or exhaust openings as it may cause an electrical shock or fire.

- Do not operate without all relevant safety guards in place.

- Locate the power lead in such a way to prevent causing a trip or damage to the lead.

- The blades are very sharp take care when cleaning and disassembling the appliance.

- Take special care when preparing food for babies the elderly and infirmed.

- Ensure that the hand blender shaft is thoroughly sterilized use a sterilizing solution in accordance with the sterilizing solution manufacturer's instructions.

- With heavy mixtures do not use the hand blender for longer than 50 seconds in any four minutes period.

- When operating do not put hands or sharp objects near the blending blades.

- Do not submerge the power handle in water during cleaning.
- Do not switch on the appliance without it in a suitable container.

CHOPPER ATTACHMENT

- Do not touch the sharp blades.
- Remove the chopper blade before emptying the bowl.
- Never remove the cover until the blade has completely stopped.

TO USE THE HAND BLENDER

- Blend baby food ,soups,saucers,milk shakes and mayonnaise.
- In addition, blend iced ingredient food.

FOR BEAKER BLENDING (IF SUPPLIED)

- Do not fill the beaker above 500ml.
- Hold the beaker steady then insert blender shaft into the beaker and press button(1)turbo switch slower speed to reduce splashing.Increase speed as required by turning dial 11 or pressing button(2).

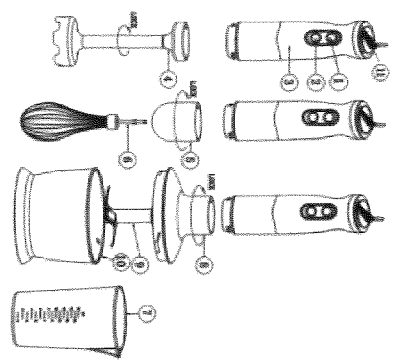
FOR SAUCEPAN BLENDING

Take the pan off the heat and let it cool slightly.

1. Fit the power handle inside the blender shaft turn and lock.
2. Plug in to avoid splashing,place the blade into the food before switching on.
3. Hold the saucepan. Then press speed button(1). Increase speed as required by turning dial(11)to the wide end of the wedge symbol or pressing button(2).
- Do not let liquid get above the join between the power handle and blender shaft .
- Move the blade through the food using a steady action,if the blender blade becomes clogged, unplug immediately and clear blockage.
4. After use,unplug and dismantle.

TO USE THE CHOPPER

- The appliance can chop meat (beef), cheese, vegetables, herbs, bread, biscuits and nuts.
 - Do not chop hard foods such as coffee beans, ice cubes, spices or chocolate.
1. Remove any bones and cut food into 1-2cm cubes.
 2. Fit the chopper blade over the pin in the bowl.
 3. Add your food.
 4. Fit the chopper cover ,turn and lock.
 5. Fit the power handle steady.Turn and lock.
 6. Plug in.,Hold the bowl steady.Then press speed 2.
 7. After use,unplug and dismantle.



PROCESSING GUIDE

FOOD	MAXIMUM	APPROX TIME (IN SECONDS)
Herbs	50g	10-30
Meat(Beef)	500g	15
Nuts	400g	30
Cheese	250g	30
Bread	1slice	20
Hard boiled Eggs	2	5
Onions	100g(3.5oz)	10

TO USE THE WHISK

FOOD	MAXIMUM	APPROX TIME (IN SECONDS)
Egg	4 eggs	60s
Cream	400ml(0.75pt)	25s

- To whip light ingredients such as egg whites;cream;instant desserts;and eggs and sugar for whisked sponges.
- Do not whisk heavier mixtures such as margarine or granulated sugar.

PROCESSING GUIDE

1. Push the beater into the whisk collar^⑤
2. Fit the power handle inside the whisk collar turn and lock.
3. Place your food in a bowl.
4. Do not whisk more than 4 eggs whites or 400ml(0.75pt)cream.
5. Plug in.To avoid slashing start on speed (1)
6. Move the whisk clockwise
7. Do not let liquid get above the whisk wires.
8. After use ,unplug and dismantle.


CLEANING AND MAINTENANCE

- **NOTE:** Use extreme care when handling the chopping blade. Do not touch the blades with your fingers. The blades are very sharp and can cause injury if touched.
- Make sure the unit is unplugged from the main power supply.
- Disconnect the detachable stem from the motor unit.
- It is much easier to clean the accessories immediately after their use. Wash them in warm, soapy water ,rinse and dry well.
- The bowl must be washed with warm soapy water.
- The body of the hand blender can be cleaned with a damp cloth and must be wiped off with a dry cloth.
- To remove stubborn spots wipe the surfaces with a piece of cloth slightly dampened in soapy water or a mild non-abrasive cleaner. Finally with a clean damp cloth.
- Do not use any abrasive cleaner or material to clean any part of the hand blender as it will harm the exterior of the hand blender.
- Always keep the unit/stem in vertical position after cleaning do not store in a horizontal position.

CAUTION: The blender motor unit and chopper lid with gear should never be submerged in water or held under a running tap. To clean simply wipe with a damp cloth.

PLUG:

1. This appliance has been fitted with a BS UK compliant plug which should not be replaced or removed
2. The plug is fitted with a UK compliant fuse link which is suitable for this type of appliance and should only be replaced by a fuse link of the same rating
3. If access to the fuse link is only possible by removing the plug cover this must only be done by a suitably qualified person.
4. If the plug or the mains cable of this appliance is damaged do not use and dispose of the appliance responsibly.
5. This appliance is a Class 2 appliance protected by double and reinforced insulation and does not require earthing. Class2 appliances are indicated by

this  symbol marked on the appliance rating plate



Information on Waste Disposal for Consumers of Electrical & Electronic Equipment



This symbol indicates that this product should not be treated as normal household waste and it should be recycled. Please take it to your nearest collection facility or for further details contact your local council or visit www.recycle-more.co.uk.

Imported by Benross®



MADE IN P.R.C